

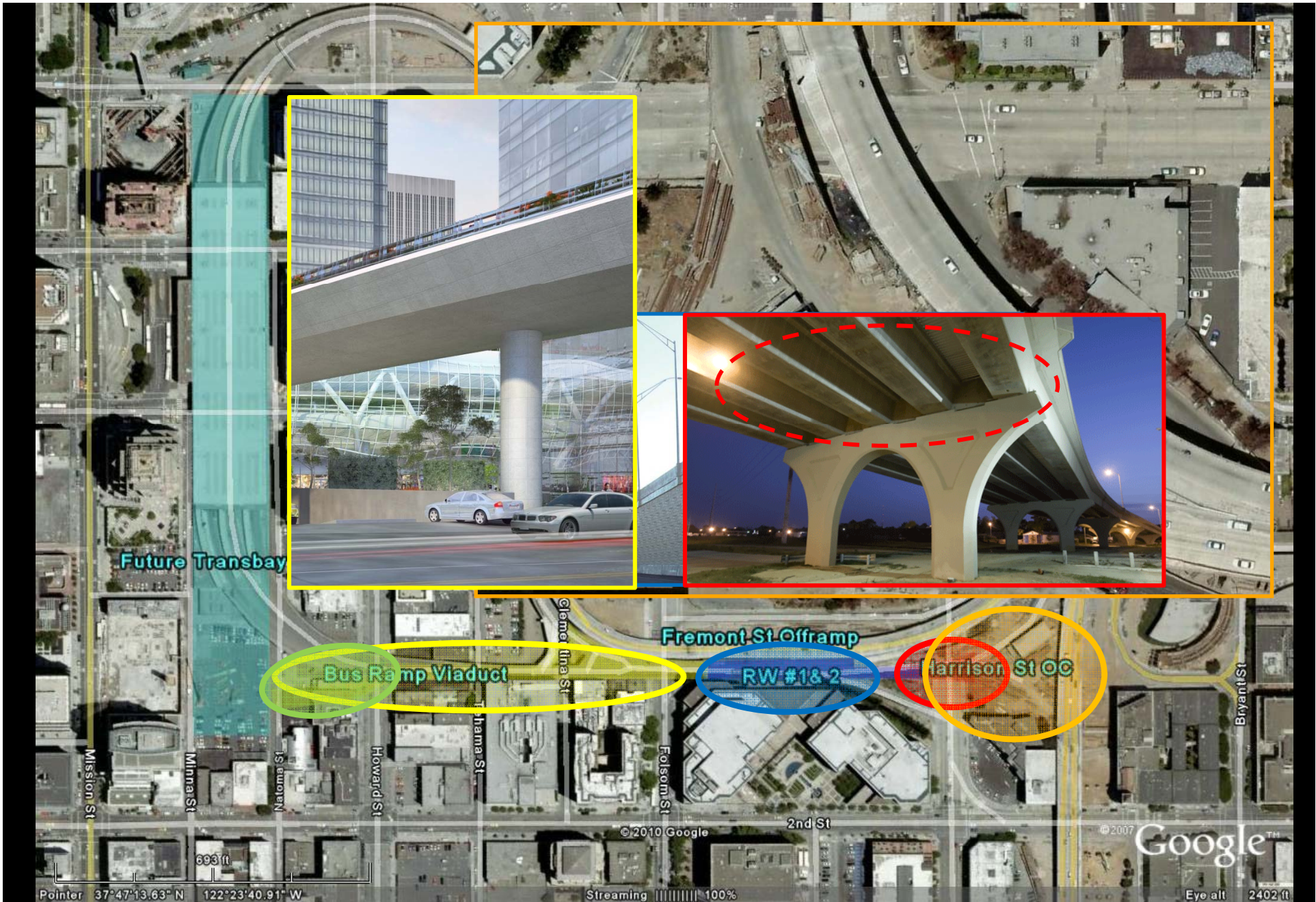
**TTC Bus Ramps**

14 October 2010

# Bus Ramp Update

- **35% to 65% Design Phase**
- **Train Box/CHSR Changes**
  - Stakeholder Review – Planning/SFRA – 10/7/10
  - Seismic and Structural Review – 10/11/10
  - Advancing Cable Bridge Alternative
- **Visual Context**
- **Cost and Schedule**



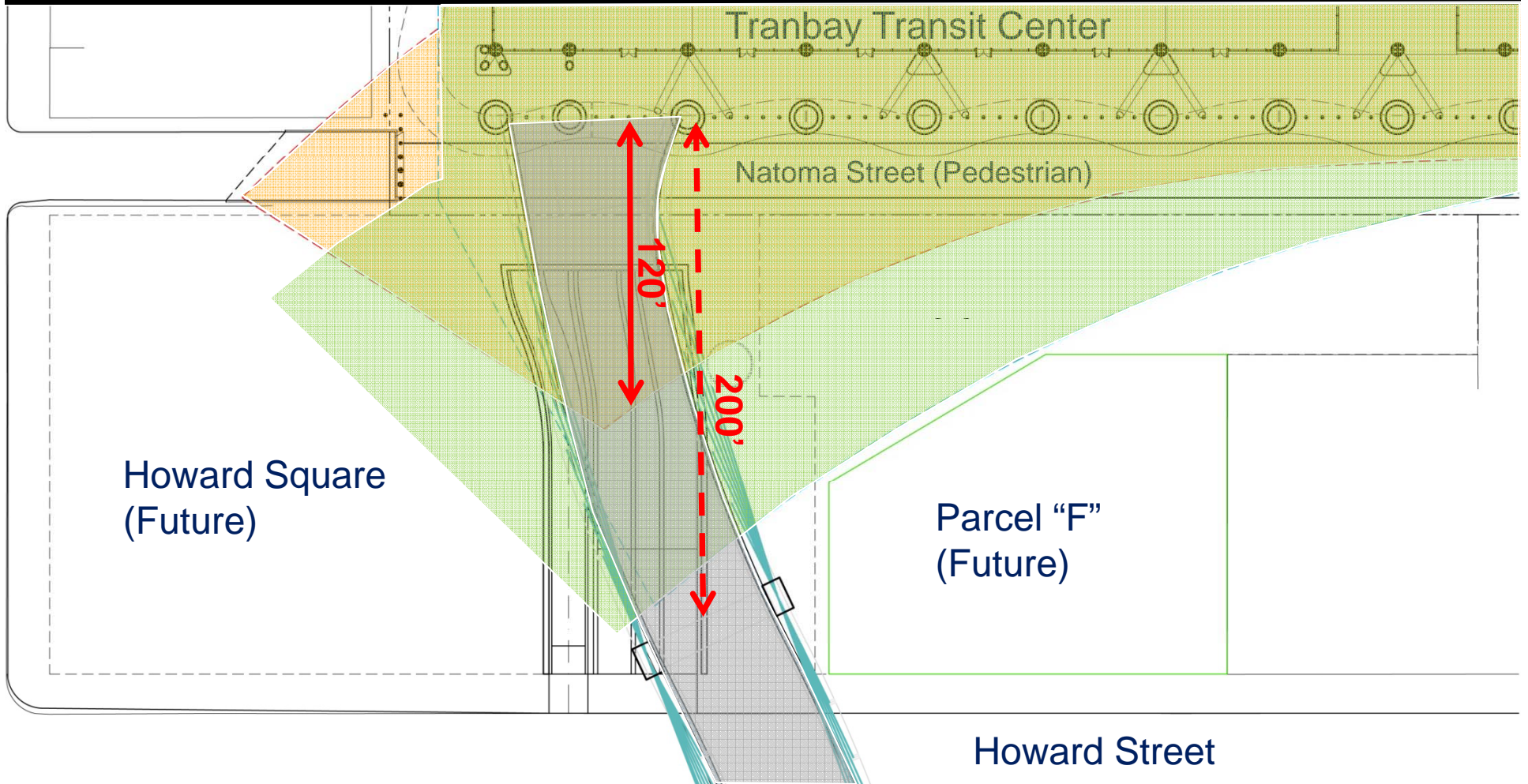


# Transit Center Bus Ramps

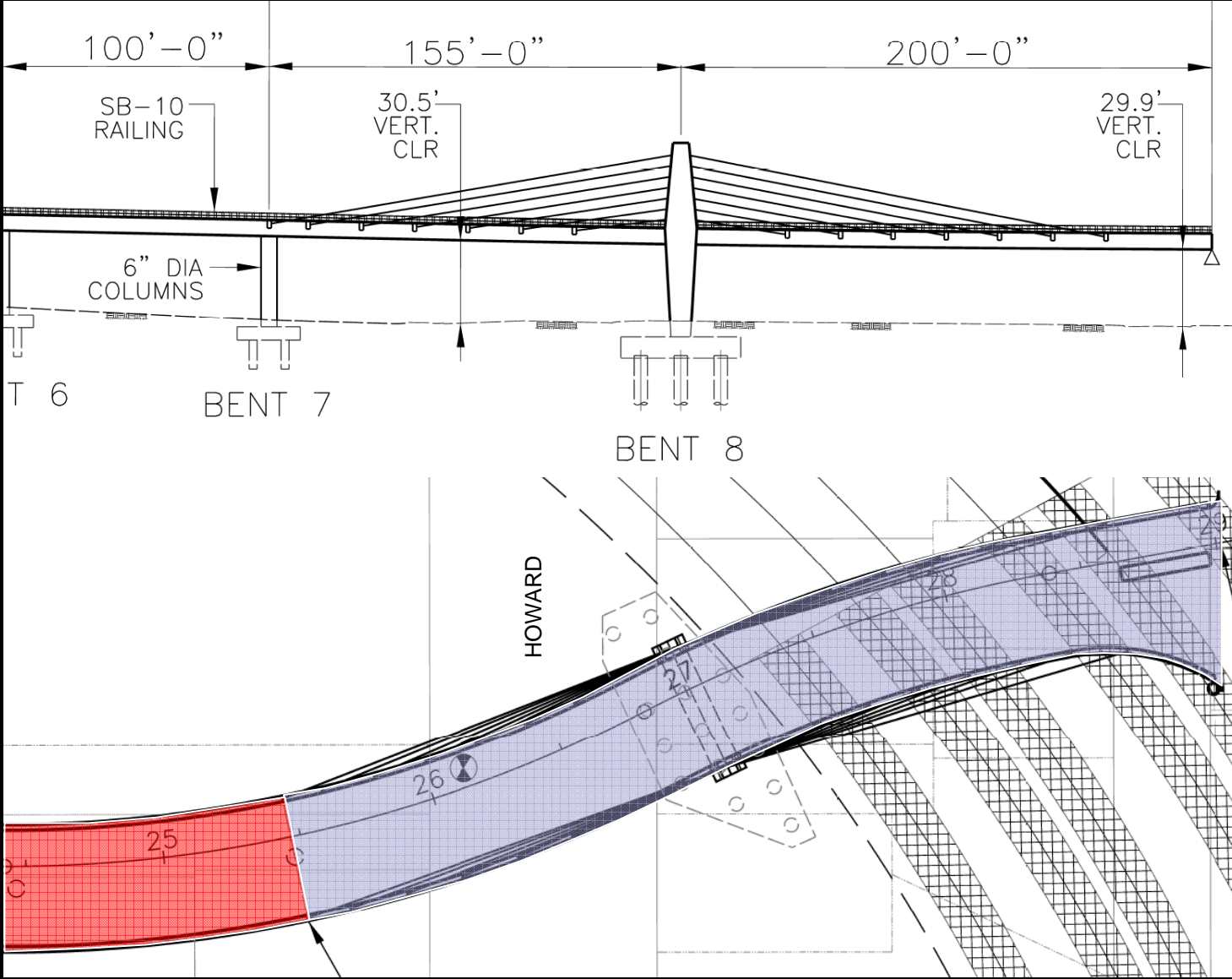
ARUP



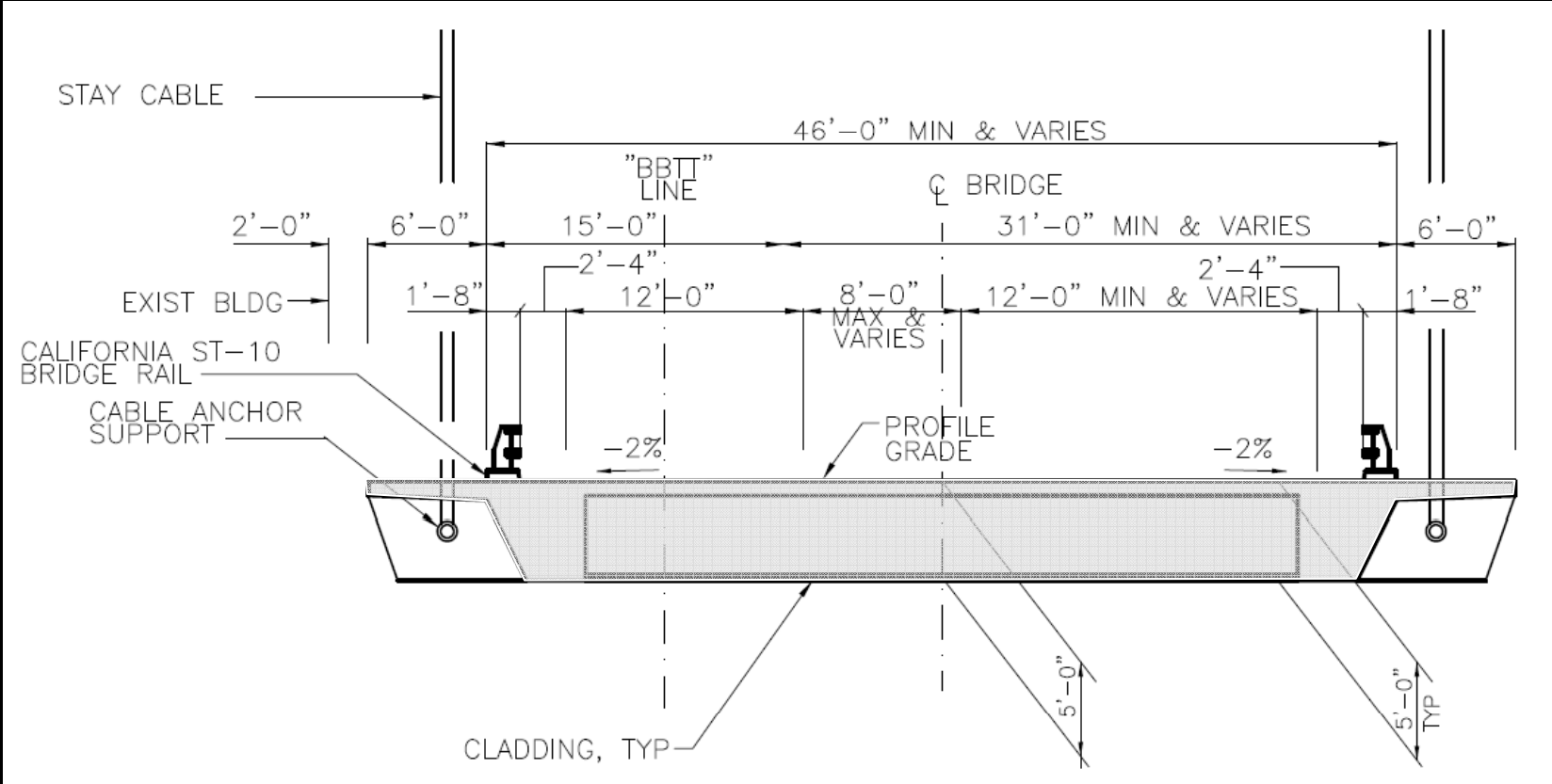
# Bus Ramps to TTC



# Cable Bridge General Arrangement



# Cable Bridge Cross Section







View of Cable Bridge Option





View of Cable Bridge Option





View of Cable Bridge Option

*Pelli-Clarke-Pelli Architects*

**ARUP**



View of Cable Bridge Option



# Schedule Summary

<b>Task</b>	<b>Schedule</b>
<b>Cable Bridge Design Refinements</b>	<b>12/10</b>
<b>65% Design (PS&amp;E)</b>	<b>3/11</b>
<b>100% Design (PS&amp;E)</b>	<b>11/11</b>
<b>TJPA Construction Contract Approval</b>	<b>3/12</b>
<b>Construction</b>	<b>6/12 to 6/15</b>

# Cost Summary

	Est Cost
Bus Ramp Viaduct	
Cable Bridge	\$ 10.9M
Concrete Girder Bridge	\$ 25.2M
Embankment	
Harrison Street	
At-grade	
Misc.	
<b>TOTAL</b>	<b>\$ 36.1M</b>



# Next Steps

